

8.19 ALARM 404 AND 405 (*DRDY SIGNAL TURNED ON)

- **Alarm 404**

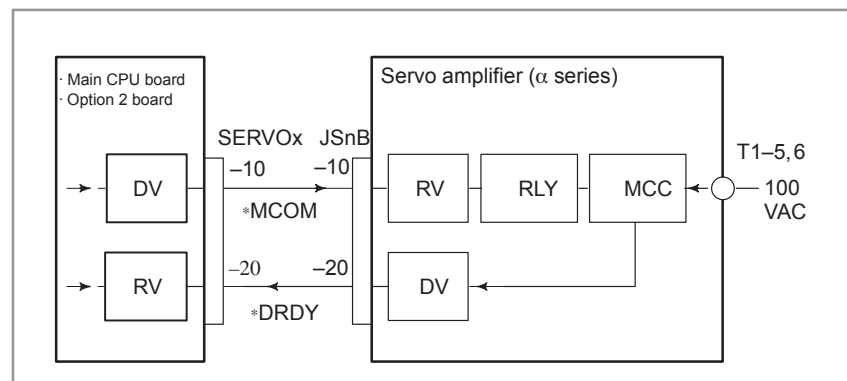
DRDY signal is turned on before MCON signal is turned on. Or DRDY is not turned off after MCON signal is turned off.

- **Causes**

- 1 Servo amplifier is faulty.
- 2 Between servo amplifier and main CPU or between servo amplifier and option 2 board is faulty.
- 3 Main CPU or option 2 board is faulty.

CAUTION

When the main CPU board is replaced, all the data stored in memory is lost. Set the NC data again, referring to chapter 3 "data input/output".



From 1st axis to 4th axis are main CPU board. 5th axis or later are option 2 board.

- **Alarm 405 (Reference position return is abnormal)**

The grid signal is not turned on when the automatic reference position return by G28 is completed.

- **Causes**

Main CPU board or Option 2 board is faulty.

CAUTION

When the main CPU board is replaced, all the data stored in memory is lost. Set the NC data again, referring to chapter 3 "data input/output".