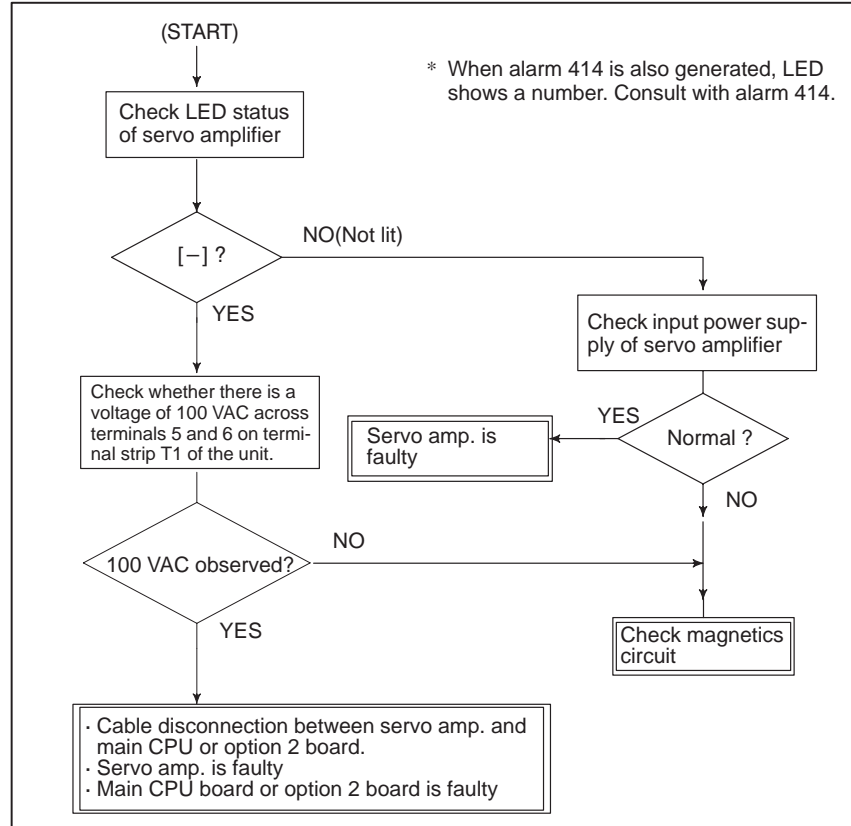


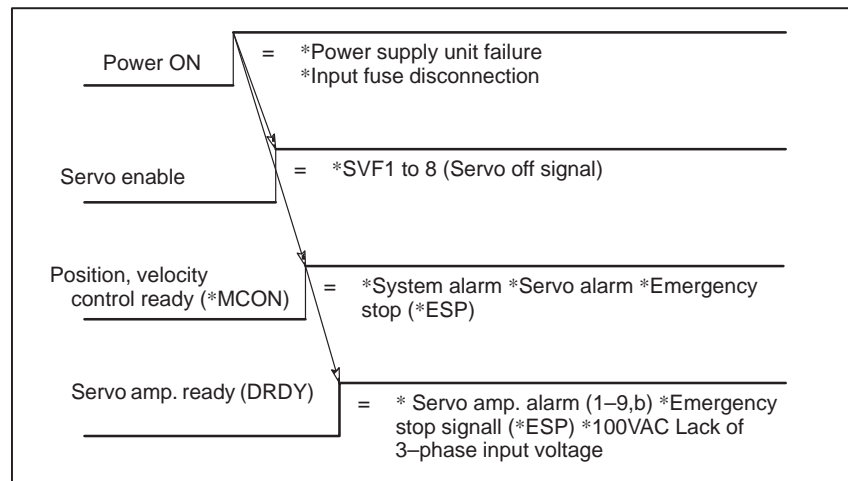
6.17 ALARM 401, 403 406, 491 (*DRDY SIGNAL TURNED OFF)

- C series servo amplifier

Alarm 401, 403, 406 or 491 of servo amplifier is not turned on or turned off during operation.



Power on sequence (NC ↔ Servo amplifier)



● α series servo amplifier

